

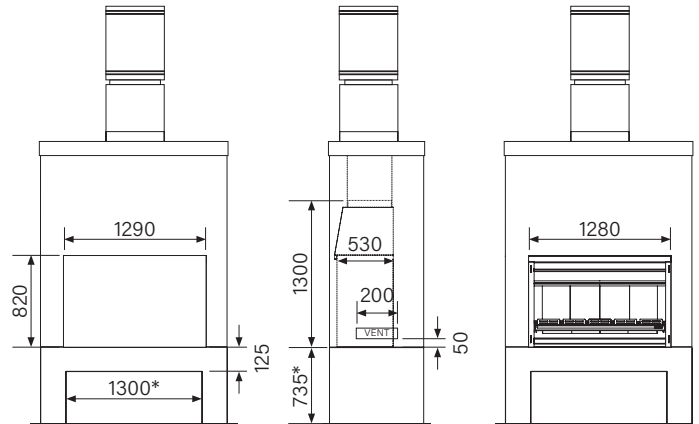
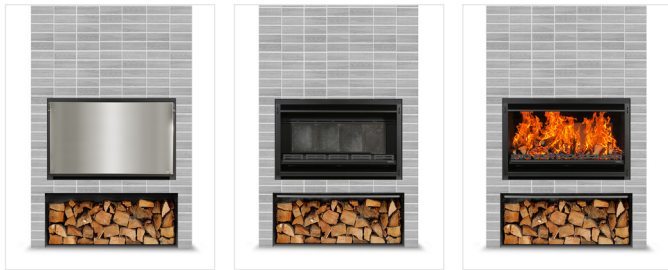
Outdoor 1200 Insert

The Outdoor 1200 Insert (fireplace only) without the full Braai cooking kit and accessories. Designed for installation into a non-combustible masonry structure. Featuring a specific Insert flue kit with optional flue extensions to suit the finished height of the structure. Also features all the necessary fixing points for the full Braai cooking kit and accessories if you wish to upgrade at a later date.

The Outdoor 1200 Insert package includes:

- Outdoor 1200 firebox and insert gather
- Stainless steel door / cover
- Stainless steel insert flue system
- Ember tool and pair of outdoor fire mitts

SKU 280-0835

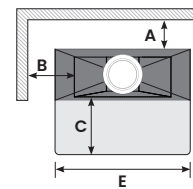


SPECIFICATIONS

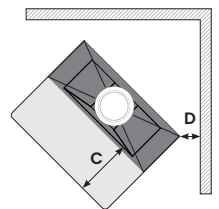
Minimum installation clearances					Firebox / Gather		
A	B	C	D	E	WIDTH	DEPTH	HEIGHT
150	500	500/700	150	1880	1280	530	1300

Base / Plinth (recommended)				Cavity dimensions			
MINIMUM THICKNESS	MINIMUM DEPTH	MINIMUM HEIGHT	INTERNAL WIDTH	INTERNAL DEPTH	WIDTH	DEPTH	HEIGHT
125	530	735*	1300*	750*	1290	600	820

Wall installation



Corner installation



* Minimum and recommended base/plinth dimensions are to suit storage of the stainless steel door/cover during operation of the Outdoor 1200. Specifications were correct at the time of printing but may alter and those detailed within should only be used as a guide. Full assembly and installation instructions are detailed in the Outdoor Installation manuals. If in doubt, please consult your local Metro stockist or visit metrofires.co.nz.