

# metrofires

## Baffle Assembly

This sheet details assembly of the following promet extensions (white board) and baffles:

- Smart Front (420mm wide) - Updated design 2021
- Smart Rear (420mm wide)

*Please note: The promet extensions and baffles listed above may differ in shape, design and components but the assembly instruction detailed overleaf is applicable for all models.*



# metrofires

## Baffle Assembly

This sheet details assembly of the following promet extensions (white board) and baffles:

- Smart Front (420mm wide) - Updated design 2021
- Smart Rear (420mm wide)

*Please note: The promet extensions and baffles listed above may differ in shape, design and components but the assembly instruction detailed overleaf is applicable for all models.*



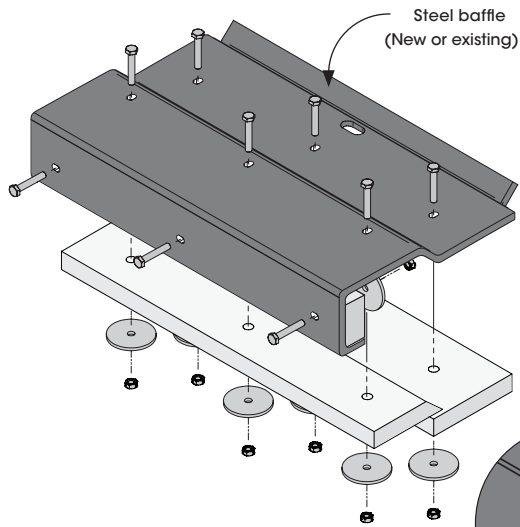
# Baffle Assembly

metrofires

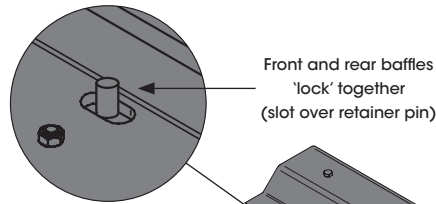
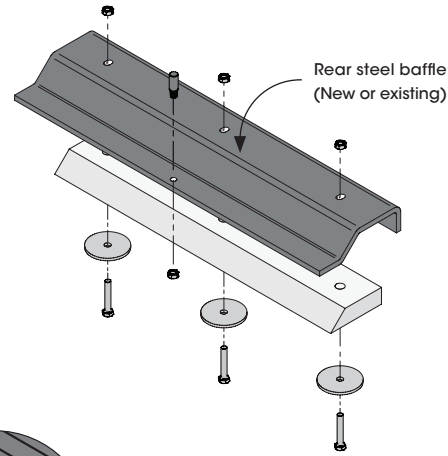
Please assemble your promet extension as detailed in the generic diagrams below and fix to the matching new or existing steel baffle\*. All nuts and bolts must be finger tightened only and then given a quarter turn only with a 10mm ring spanner or crescent. Over-tightening these fixings will prevent expansion/contraction allowance during operation and will lead to damage.

*\*Steel baffles must be straight and in sound condition with no buckling or warping evident. Fitting a new promet extension to a buckled or warped steel baffle will put undue pressure on the promet & may result in breakage.*

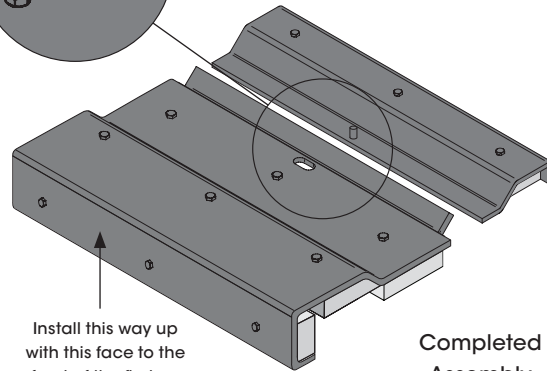
Front Baffle



Rear Baffle



Front and rear baffles  
'lock' together  
(slot over retainer pin)



Completed Assembly

**Component list:**

**Front Baffle**

- 9x baffle washers
- 9x M6x35mm bolts
- 9x M6 nuts
- 3x promet strips

**Rear Baffle**

- 3x baffle washers
- 3x M6x35mm bolts
- 4x M6 nuts
- 1x promet strip
- 1x retainer pin

*Please ensure your completed two piece baffle is re-fitted to its correct position in the top chamber of the firebox. It should be resting on the support lugs on each side of the firebox. The rear baffle must be 'hard back' against the rear wall of the firebox with the central retainer pin facing the front of the firebox. The slot in the rear of the front baffle then 'locks onto' this retainer pin as indicated above.*

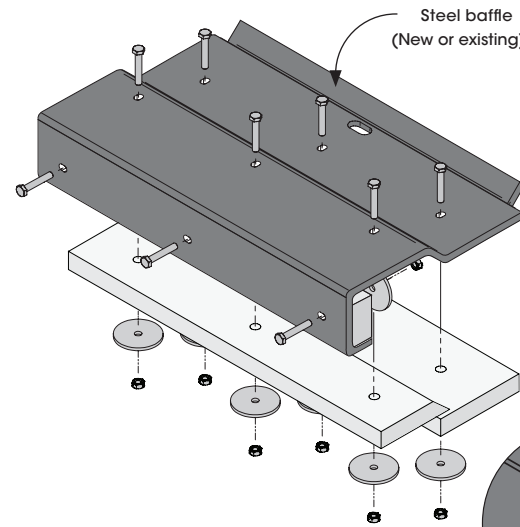
# Baffle Assembly

metrofires

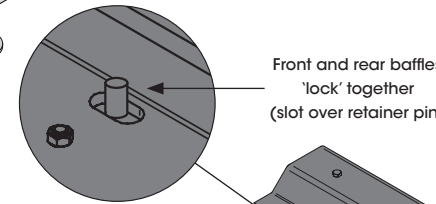
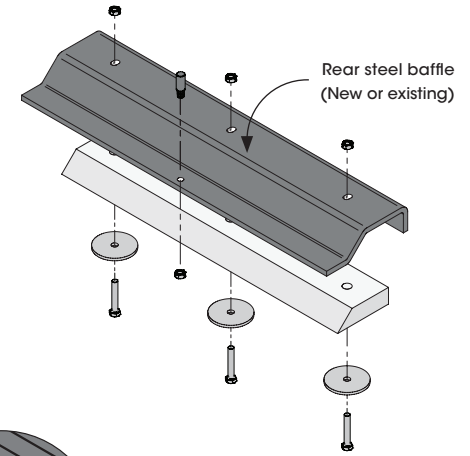
Please assemble your promet extension as detailed in the generic diagrams below and fix to the matching new or existing steel baffle\*. All nuts and bolts must be finger tightened only and then given a quarter turn only with a 10mm ring spanner or crescent. Over-tightening these fixings will prevent expansion/contraction allowance during operation and will lead to damage.

*\*Steel baffles must be straight and in sound condition with no buckling or warping evident. Fitting a new promet extension to a buckled or warped steel baffle will put undue pressure on the promet & may result in breakage.*

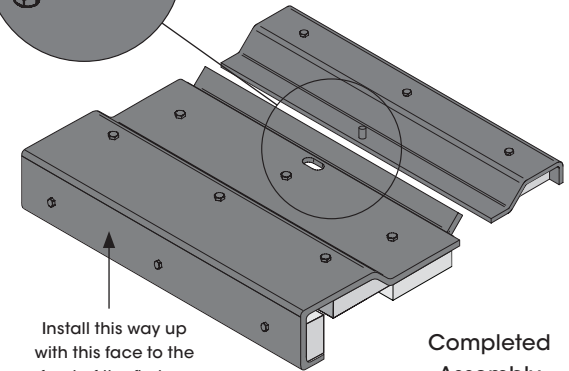
Front Baffle



Rear Baffle



Front and rear baffles  
'lock' together  
(slot over retainer pin)



Completed Assembly

**Component list:**

**Front Baffle**

- 9x baffle washers
- 9x M6x35mm bolts
- 9x M6 nuts
- 3x promet strips

**Rear Baffle**

- 3x baffle washers
- 3x M6x35mm bolts
- 4x M6 nuts
- 1x promet strip
- 1x retainer pin

*Please ensure your completed two piece baffle is re-fitted to its correct position in the top chamber of the firebox. It should be resting on the support lugs on each side of the firebox. The rear baffle must be 'hard back' against the rear wall of the firebox with the central retainer pin facing the front of the firebox. The slot in the rear of the front baffle then 'locks onto' this retainer pin as indicated above.*