

metrofires Baffle Assembly

This sheet details assembly of the following promet extensions (white board) and baffles:

- ECO Mega Smart Front (500mm wide)
- ECO Mega Smart Rear (500mm wide)

Please note: The promet extensions and baffles listed above differ in shape and design but the assembly instruction and components detailed overleaf are the same for all models listed.



metrofires Baffle Assembly

This sheet details assembly of the following promet extensions (white board) and baffles:

- ECO Mega Smart Front (500mm wide)
- ECO Mega Smart Rear (500mm wide)

Please note: The promet extensions and baffles listed above differ in shape and design but the assembly instruction and components detailed overleaf are the same for all models listed.



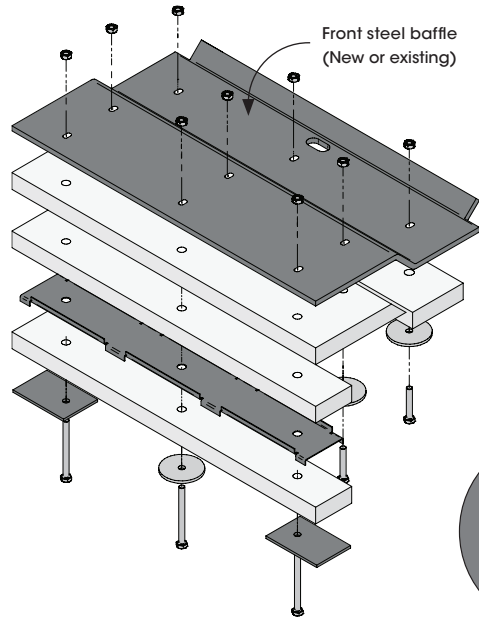
Baffle Assembly

metrofires

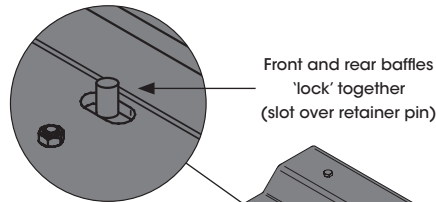
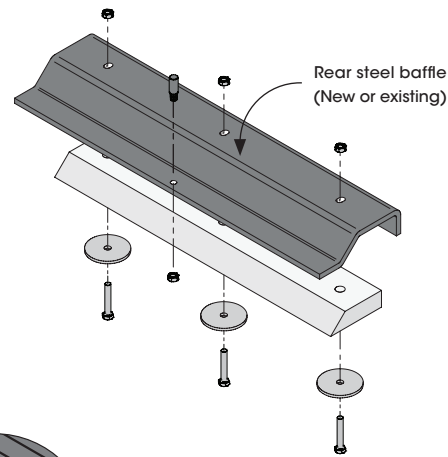
Please assemble your promet extension as detailed in the generic diagrams below and fix to the matching new or existing steel baffle*. All nuts and bolts must be finger tightened only and then given a quarter turn only with a 10mm ring spanner or crescent. Over-tightening these fixings will prevent expansion/contraction allowance during operation and will lead to damage.

**Steel baffles must be straight and in sound condition with no buckling or warping evident. Fitting a new promet extension to a buckled or warped steel baffle will put undue pressure on the promet & may result in breakage.*

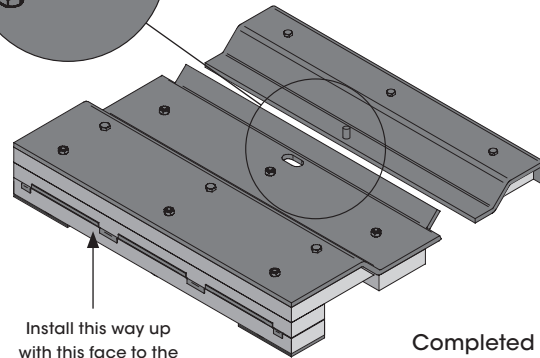
Front Baffle



Rear Baffle



Front and rear baffles 'lock' together (slot over retainer pin)



Completed Assembly

Component list:

Front Baffle

- 7x baffle washers
- 2x rect. baffle washers
- 6x M6x35mm bolts
- 3x M6x80mm bolts
- 9x M6 nuts
- 4x promet strips
- 1x steel support strip

Rear Baffle

- 3x baffle washers
- 3x M6x35mm bolts
- 4x M6 nuts
- 1x promet strips
- 1x retainer pin

Please ensure your completed two piece baffle is re-fitted to its correct position in the top chamber of the firebox. It should be resting on the support lugs on each side of the firebox. The rear baffle must be 'hard back' against the rear wall of the firebox with the central retainer pin facing the front of the firebox. The slot in the rear of the front baffle then 'locks onto' this retainer pin as indicated above.

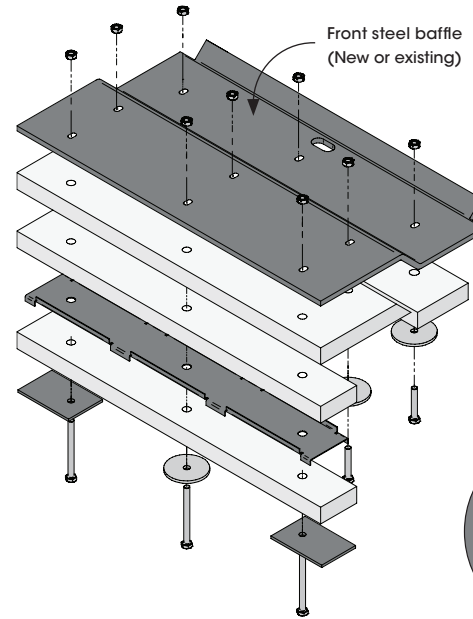
Baffle Assembly

metrofires

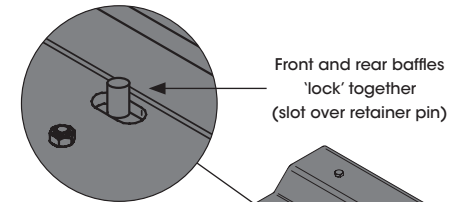
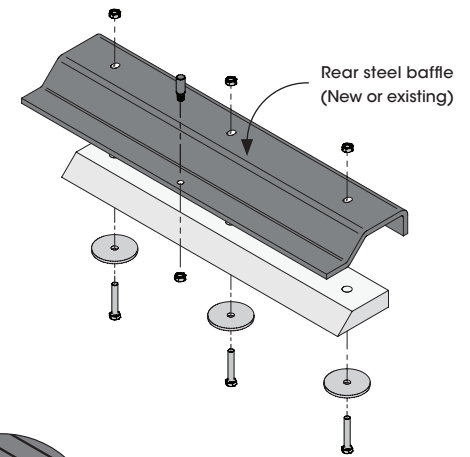
Please assemble your promet extension as detailed in the generic diagrams below and fix to the matching new or existing steel baffle*. All nuts and bolts must be finger tightened only and then given a quarter turn only with a 10mm ring spanner or crescent. Over-tightening these fixings will prevent expansion/contraction allowance during operation and will lead to damage.

**Steel baffles must be straight and in sound condition with no buckling or warping evident. Fitting a new promet extension to a buckled or warped steel baffle will put undue pressure on the promet & may result in breakage.*

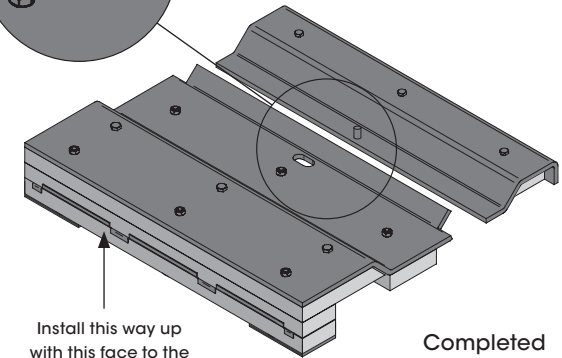
Front Baffle



Rear Baffle



Front and rear baffles 'lock' together (slot over retainer pin)



Completed Assembly

Component list:

Front Baffle

- 7x baffle washers
- 2x rect. baffle washers
- 6x M6x35mm bolts
- 3x M6x80mm bolts
- 9x M6 nuts
- 4x promet strips
- 1x steel support strip

Rear Baffle

- 3x baffle washers
- 3x M6x35mm bolts
- 4x M6 nuts
- 1x promet strips
- 1x retainer pin

Please ensure your completed two piece baffle is re-fitted to its correct position in the top chamber of the firebox. It should be resting on the support lugs on each side of the firebox. The rear baffle must be 'hard back' against the rear wall of the firebox with the central retainer pin facing the front of the firebox. The slot in the rear of the front baffle then 'locks onto' this retainer pin as indicated above.