

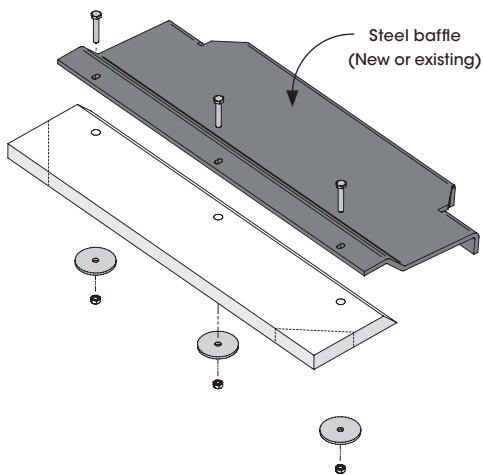
This sheet details assembly of the following promet extension (white board) and baffles:

- LTD Tiny (320mm wide) • LTD Small (420mm wide)
- LTD Large (500mm wide) • LTD Mega (595mm wide)

Please assemble your promet extension as detailed in the generic diagrams below and fix to the matching new or existing steel baffle*. All nuts and bolts must be finger tightened only and then given a quarter turn only with a 10mm ring spanner or crescent. Over-tightening these fixings will prevent expansion/contraction allowance during operation and will lead to damage.

**Steel baffles must be straight and in sound condition with no buckling or warping evident. Fitting a new promet extension to a buckled or warped steel baffle will put undue pressure on the promet & may result in breakage.*

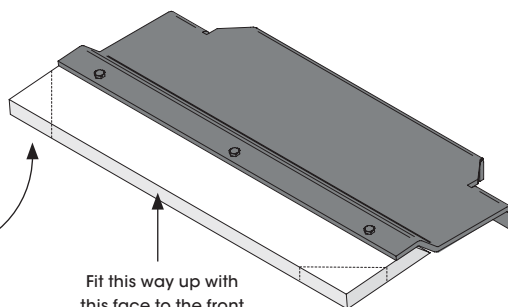
Exploded assembly diagram:



Component list:

- 3x baffle washers
- 3x M6x35mm bolts
- 3x M6 nuts
- 1x promet strip

Completed Assembly:



Please note:

Your LTD promet extension may have square or angle cut corners depending on the model of fire it is designed for. Please note: The promet extensions and baffles listed above may differ in shape, design and components but the assembly instruction detailed is applicable for all models.

Please ensure your completed baffle is re-fitted to its correct position in the top chamber of the firebox. It should be resting on the support lugs on each side of the firebox. The baffle must be 'hard back' against the rear wall of the firebox with the promet extension facing the front of the firebox as indicated above.

Lift the completed baffle supporting the steel plate, not by the promet extension only.



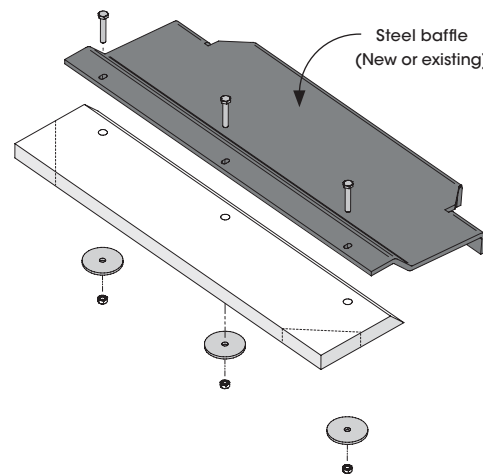
This sheet details assembly of the following promet extension (white board) and baffles:

- LTD Tiny (320mm wide) • LTD Small (420mm wide)
- LTD Large (500mm wide) • LTD Mega (595mm wide)

Please assemble your promet extension as detailed in the generic diagrams below and fix to the matching new or existing steel baffle*. All nuts and bolts must be finger tightened only and then given a quarter turn only with a 10mm ring spanner or crescent. Over-tightening these fixings will prevent expansion/contraction allowance during operation and will lead to damage.

**Steel baffles must be straight and in sound condition with no buckling or warping evident. Fitting a new promet extension to a buckled or warped steel baffle will put undue pressure on the promet & may result in breakage.*

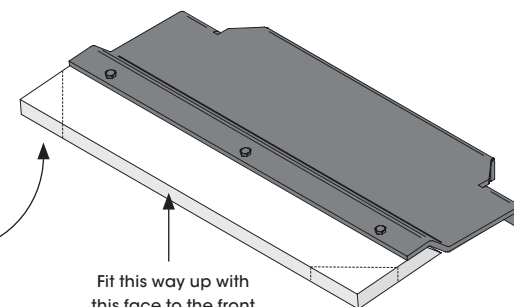
Exploded assembly diagram:



Component list:

- 3x baffle washers
- 3x M6x35mm bolts
- 3x M6 nuts
- 1x promet strip

Completed Assembly:



Please note:

Your LTD promet extension may have square or angle cut corners depending on the model of fire it is designed for. Please note: The promet extensions and baffles listed above may differ in shape, design and components but the assembly instruction detailed is applicable for all models.

Please ensure your completed baffle is re-fitted to its correct position in the top chamber of the firebox. It should be resting on the support lugs on each side of the firebox. The baffle must be 'hard back' against the rear wall of the firebox with the promet extension facing the front of the firebox as indicated above.

Lift the completed baffle supporting the steel plate, not by the promet extension only.

